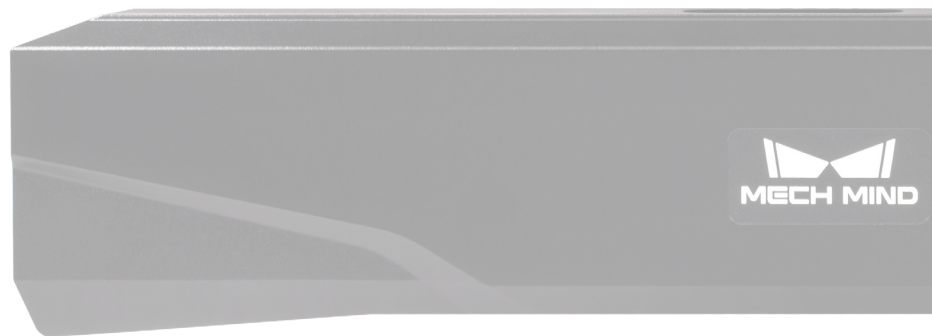




Mech-Eye LSR L

DATASHEET



Mech-Eye LSR L



With a **working distance of 1,200 mm - 3,000 mm** and a **VDI/VDA accuracy of 1.0 mm**, the Mech-Eye LSR L 3D camera offers the optimal combination of a large field of view with high accuracy.

Specifications

The LSR L camera is ideal for applications in a working environment with difficult lighting conditions.

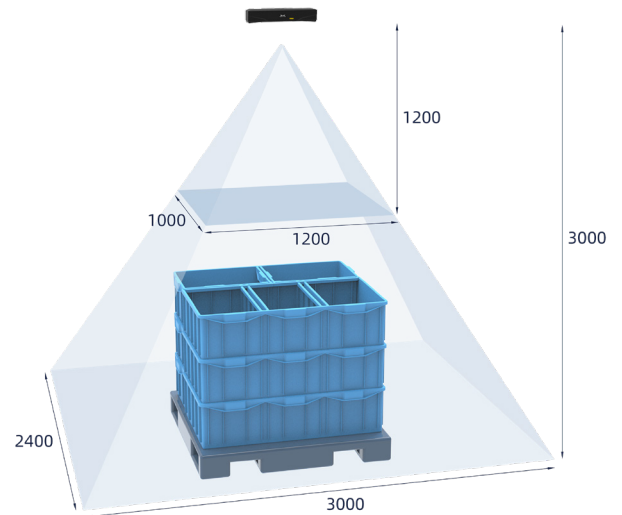
Scope of delivery

LSR L Camera

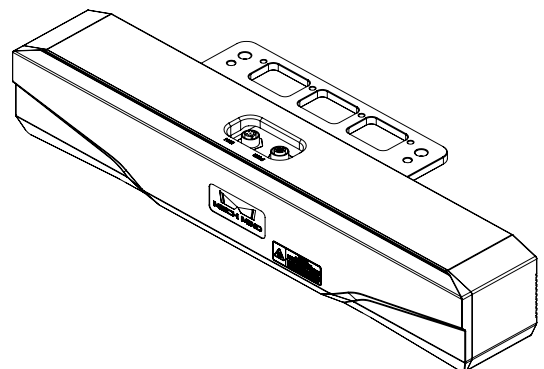
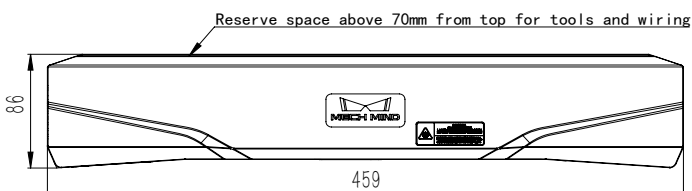
Power - M12, 4-pin, A-coded to EU 230 (6 m) *

Data - M12, 8-pin, A-coded to RJ45 (10 m) *

*further cable lengths are available upon inquiry



Technical drawing




Technical data

Optimal scanning range	1,200 - 3,000 mm
Min. FOV	1,200 x 1,000 mm @ 1.2 m
Max. FOV	3,000 x 2,400 mm @ 3 m
Resolution	Depth 2,048 x 1,536 px (3.0 MP) RGB 4,000 x 3,000 (12.0 MP)/2,000 x 1,500 px (3.0 MP)
Sensor type	CMOS (RGB)
Projector	Structured laser light (Class 2)
Z Repeatability	0.5 mm @ 3 m
Calibration accuracy	1 mm @ 3 m
Typical capture time	0.5 - 0.9 s
Baseline	380 mm
Dimension	459 x 77 x 86 mm
Weight	2.9 kg
Working temperature	-10 - 45 °C (max. gradient 10°/hour)
Interface	GigE, C++, C#, Python, ROS
Connectors	M12, 8-pin, A-coded (F) - Data M12, 4-pin, A-coded (F) - Power
Power supply	24V DC / 3.75 A
Certification	CE/FCC/VCCI
Protection class	IP65
Cooling	Passive



 www.mech-mind.de

 info@mech-mind.de