



Mech-Eye Laser L

DATASHEET



Mech-Eye Laser L



With a **working distance of 1,500 mm - 3,000 mm** and a **calibration accuracy of 1.0 mm**, the Mech-Eye Laser L 3D camera offers the optimal combination of a large field of view with even greater accuracy.

Specifications

The Laser L camera is ideal for applications in a working environment with difficult lighting conditions.

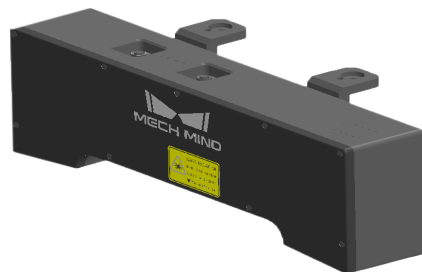
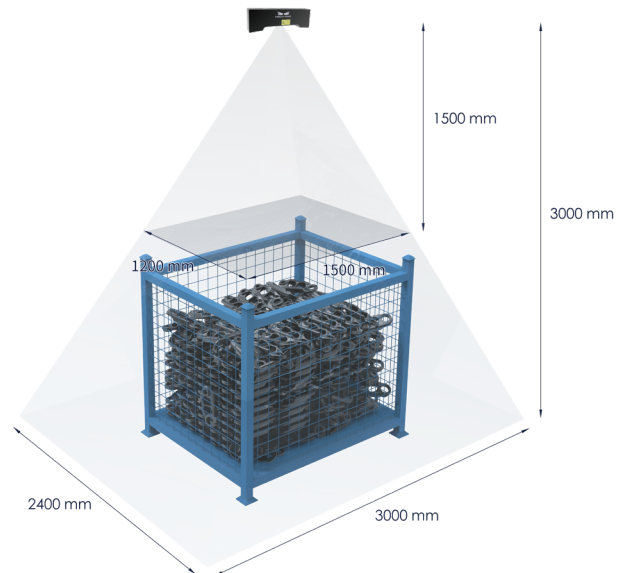
Scope of delivery

Laser L Camera

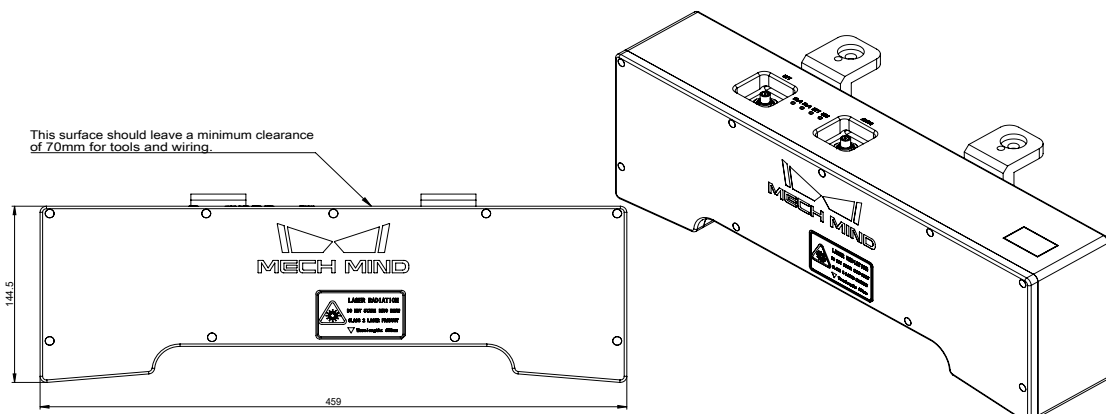
Power - M12, 4-pin, A-coded to EU 230 (10 m) *

Data - M12, 8-pin, A-coded to RJ45 (10 m) *

*further cable lengths are available



Technical drawing




Technical data

Optimal scanning range	1,500 - 3,000 mm
Min. FOV	1,500 x 1,200 mm @ 1.5 m
Max. FOV	3,000 x 2,400 mm @ 3 m
Resolution	2,048 x 1,536 px (3.0 MP)
Sensor type	CMOS (Monochrome)
Projector	Structured laser light (Class 2)
Z Repeatability	0.5 mm @ 3 m
Calibration accuracy	1 mm @ 3 m
Typical capture time	0.5 - 0.9 s
Baseline	400 mm
Dimension	459 x 89 x 145 mm
Weight	3.7 kg
Working temperature	-10 - 45 °C (max. gradient 10°/hour)
Interface	GigE, C++, C#, Python, ROS
Connectors	M12, 8-pin, A-coded (F) - Data M12, 4-pin, A-coded (F) - Power
Power supply	24V DC
Certification	CE/FCC/VCCI
Protection class	IP65
Cooling	Passive



 www.mech-mind.de

 hello@mech-mind.de