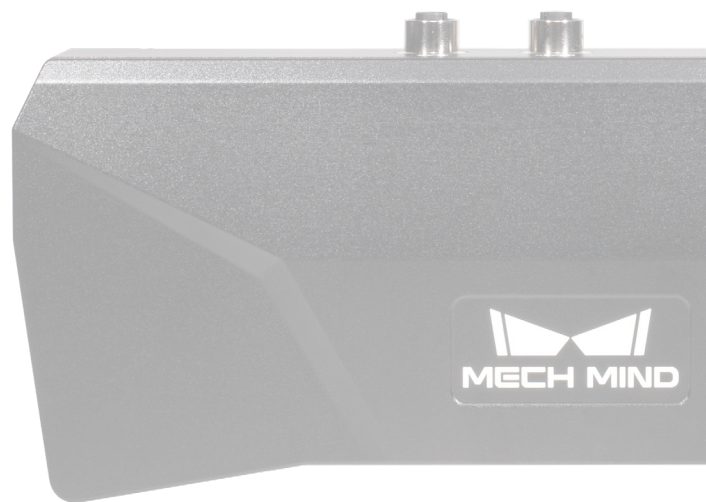




Mech-Eye PRO S

DATASHEET



Mech-Eye PRO S



With a **working distance of 500 mm - 1,000 mm** and a high **calibration accuracy of 0.1 mm**, the PRO S offers a solution for applications where shorter ranges are sufficient but more accurate calibration is required.

Specifications

The PRO S is ideal for applications such as bin picking, sorting & picking, and locating small components.

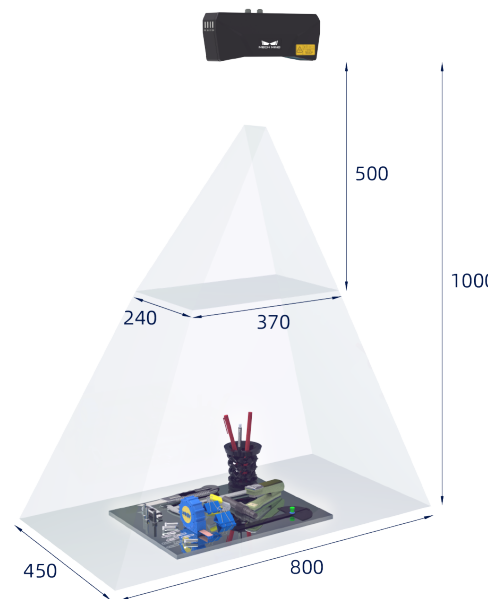
Scope of delivery

PRO S Camera

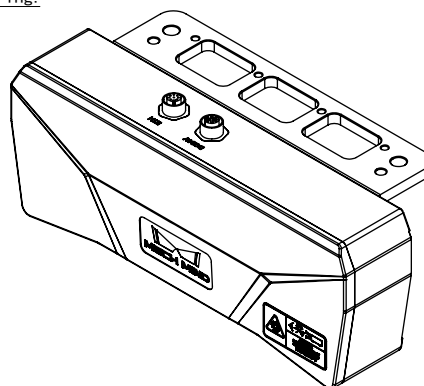
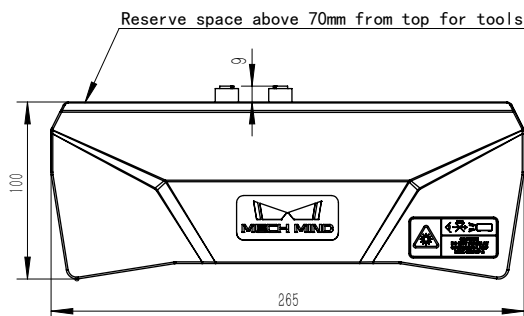
Power - M12, 4-pin, A-coded to EU 230 (6 m) *

Data - M12, 8-pin, A-coded to RJ45 (10 m) *

*further cable lengths are available



Technical drawing




Technical data

| | |
|------------------------|---|
| Optimal scanning range | 500 - 1,000 mm |
| Min. FOV | 370 x 240 mm @ 0.5 m |
| Max. FOV | 800 x 450 mm @ 1 m |
| Resolution | 1,920 x 1,200 px (2.3 MP) |
| Sensor type | CMOS (Monochrome / RGB) |
| Projector | structured light (LED) |
| Z Repeatability | 0.05 mm @ 1 m |
| VDI/VDE* accuracy | 0.1 mm @ 1 m |
| Typical capture time | 0.3 - 0.6 s |
| Baseline | 180 mm |
| Dimension | 265 x 57 x 100 mm |
| Weight | 1.6 kg |
| Working temperature | 0 - 45 °C (max. gradient 10°/hour) |
| Interface | GigE , C++, C#, Python, ROS |
| Connectors | M12, 8-pin, A-coded (F) - Data M12, 4-pin, A-coded (F) - Power |
| Power supply | 24V DC / 3.75A |
| Certification | CE/FCC/VCCI |
| Protection class | IP65 |
| Cooling | Passive |

* Referring to VDI/VDE 2643 Part II



 www.mech-mind.de

 info@mech-mind.de