

ER Work

Max Mobility and Flexibility



EasyRobotics®
- we move your parts

ER Work mobile cobot platform

The ER Work series from EasyRobotics, is a series of mobile cobot platforms developed to maximize mobility and flexibility in robotic automation.

One of the unique features of ER Work mobile platform is that one person easily can move the workstation, with a complete and fully installed collaborative robot, like pulling a suitcase.

The ER Work, all-in-one integrated solution, is part of the EasyRobotics' product range also consisting of ProFeeder, which as ER Work enables robot automation in small and medium sized companies.

ER WORK

Is suitable for robot automation in production layouts with limited space or in productions demanding high mobility, flexibility and quick re-deployment due to small series production or the wish of moving the robot between different processing machines.



ER WORK

Patent pending and registered design

Suitable for:

Maximizing mobile and flexible robotic automation in dense facilities.
UR3 and UR5 collaborative robots from Universal Robots.

Optional features:

Easy+ software program for convenient set-up.
Interchangeable parts plate.

Integrated heavy duty rubber wheels

- For easy move of fully mounted cobot.

Integrated ventilated compartment for the controller unit.

- Offers space for adding an excess cable with the Tpad.

Plug and Produce

Due to the ER Work built-in handle and heavy duty wheels, cobots can easily be moved and deployed by one person, pulling a fully mounted cobot on the ER Work platform between the machines, when testing the current or a new layout and production flow.



Stainless table

- For demonstration and testing.
- Can be turned into 3 positions.
- Easily detachable during transport.
- Optional.



Multifunctional handle works

- T-pad holder, handle for transport and easy placement of extra rollers for storing in e.g. trunks of vehicles. Optional feature.



Integrated cord winder and foot pad

- Ensuring high safety in productions.
- No loose cords.
- Easy tilting and moving of ER Work.



To achieve stability the ER Work has four adjustable foot stands. The rubber wheel is lifted from the ground.



DOCKING for the ER Work

- The optional ER Work docking station, has a stainless docking plate with rounded corners.
- Including "sidewings" mounted below the ER Work



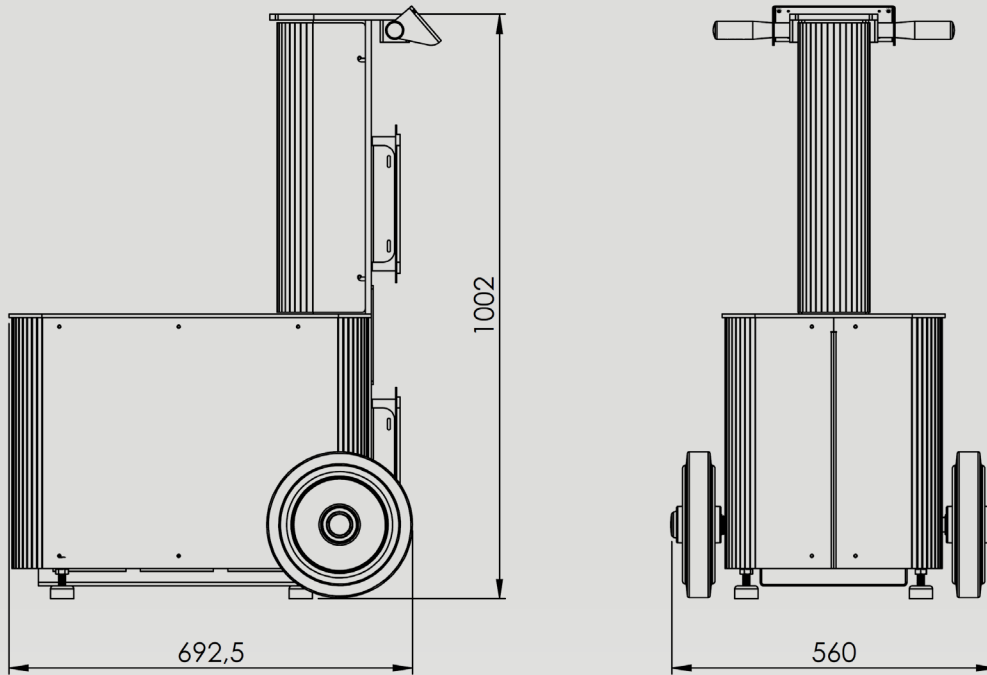
Single-person handling

- ER Work fits fully mounted with a UR cobot in the boot of a van and can be loaded in and out of the boot. Optional.

FACT

The compact mobile cobot workstation ER Work enables a flexible and mobile robotic automation in productions with limited space.

ER Work eliminates the use of pallet trucks and pallet forks for moving collaborative robots.



Weight ex. Robot: 45 kg, the ER Work has a horizontal Robot Console.

	Optional Equipment	Description
DS2006	Docking stations for ER Work (stainless floorplate)	Floor Plate including Sidewing for ER Work
AK10	Adapter Kit for ER Work - to UR10 Robot,	Adapter Kit, for UR10 Robot Arm, require DS2006 Dockingstation, Only for 1005, ER Work
CK2008	Cable-Kit	from UR-ctrl - socket
URC2007	Connector Socket (Harting)	Hartinger Socket
CT1000	Calibration tool	Calibration Tool for EasyPlus
T1000	Table Stainless	Stainless Table
TH2004	Customized part tray	Customized part tray incl. engineering

Danish manufacturer and supplier of robotic cells for all types of automation.

EasyRobotics®
- we move your parts

EasyRobotics ApS
Mommarmvej 5
DK-6400 Sønderborg
Phone: +45 24 86 56 11
info@easyrobotics.dk
www.easyrobotics.dk

DBV



Easy documentation,
scan QR-code.