



EC66 | 6-axis Collaborative Robot

EC SERIES



6kg
Payload



914mm
Radius



±0.03mm
Repeatability



2.8m/s
Max TCP Speed



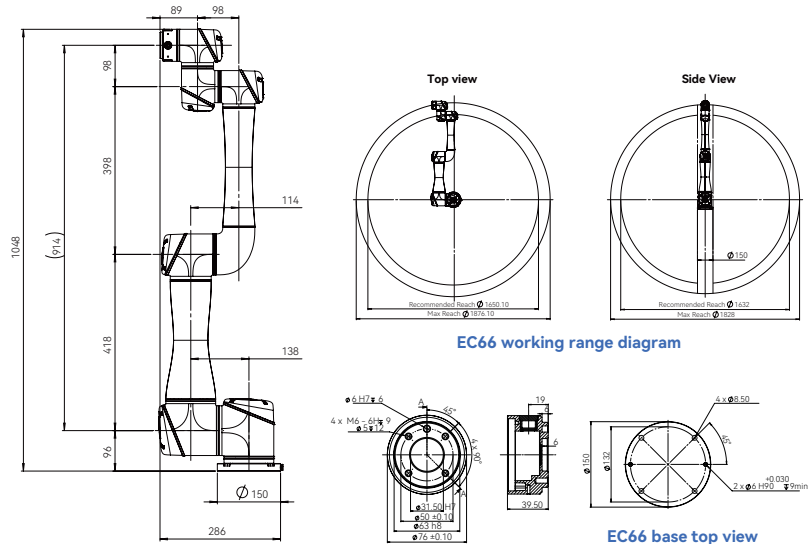
EC66

EC SERIES



Robotic Arm

Payload	6kg
Radius	914mm
Repeatability	±0.03mm
Axis	6
Joints rotation	J1-J6 ±360°
Joints speed	J1-J2 150°/s
	J3 190°/s
	J4-J6 260°/s
Max TCP Speed	2.8m/s
IP rating	IP54
Temperature range	0-50 °C
Relative humidity	5%-95% (non-condensing)
Typical power usage	250w
Mounting	Any angle
Tool I/O connector	12 pin
Tool I/O ports	2 DI, 2 DO, 1 AI, 1 AO
Tool I/O power supply	24V; 2A
Tool I/O communication	RS485
Footprint	Ø 150mm
Weight	17.5kg
Material	Aluminum, Steel
Cable length	5.5m
Certifications	CE-EMC, CE-MD, NRTL, CR, KCs, RoHS



EC66 external dimensional drawing

EC66 end flange

MINI Controller



Size	205mm x 135mm x 44mm
Weight	1.2kg
Material	Aluminum
IP rating	IP40
Power source	45-55VDC
I/O ports	8 DI, 8 DO
I/O power supply	24V; 2A
Communication	Ethernet TCP/IP, UDP, Modbus TCP/RTU, RS485/RS232, Profinet slave, Ethernet IP slave, CCLink slave

Teach-Pendant



Size	290mm x 225mm x 118mm
Weight	1.2kg
Material	Aluminum, Plastic
IP rating	IP54
Resolution	800 x 600 pixels
Cable length	5.5m
Temperature range	0-50 °C
Input method	Resistive touch-screen, physical keys

Controller



Size	505mm x 448mm x 245mm
Weight	15kg
Material	Aluminum, Steel
IP rating	IP44
I/O power supply	24V; 2A
I/O ports	16 DI, 20 DO, 2 AI, 4 AO
Temperature range	0-50 °C
Communication	Ethernet TCP/IP, UDP, Modbus TCP/RTU, RS485/RS232, Profinet slave, Ethernet IP slave, CCLink slave