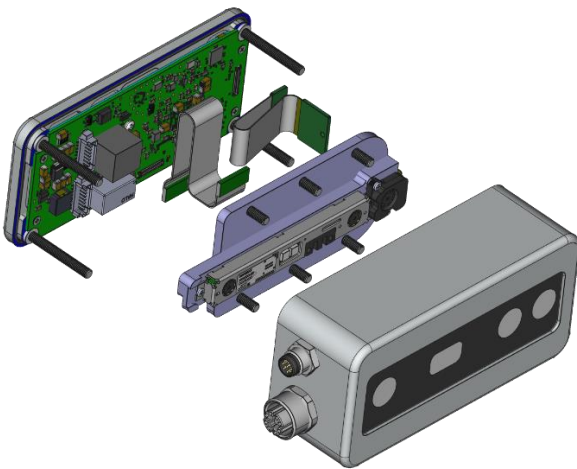


D415e - FRAMOS Industrial Depth Camera



Key Benefits & Features:

- IP66 dust and water-proof housing for industrial environments
- Gigabit ethernet data transmission
- Secure cable connections with threaded M12 and M8 plugs
- Data transfer up to 100m in length
- Single cable for both power & data via PoE
- Increased data transmission reliability with packet resends
- GigE Vision compliant
- Intel® RealSense™ SDK 2.0 compatible
- Onboard depth calculation with Intel® RealSense™ Vision Processor D4
- External Event Trigger Mode

| Specification | |
|---------------|-------|
| Model Name | D415e |

| Hardware | |
|---------------------------|---|
| Housing material | Aluminium, anodized |
| Dimensions (L x H x W) | 100 x 47 x 38 |
| Mounting holes (backside) | 4 x M3 ↓ 3,20 mm |
| Connector 1 | M12 Ethernet, X-Coded (Datastream + PoE possible) |
| Connector 2 | M8, 8 pin, A-Coded (Power supply + GPIO) |
| Housing Grade | IP66, IP67 on demand |
| Protection glass | AR coating, scratch resistant (6H) |
| Physical Interface | Gigabit ethernet |
| Camera weight | Ca. 250 grams |

| Features ¹ | |
|--------------------------------|---|
| Resolution depth | 1280 x 720 px (rolling shutter) 1.4µm x 1.4µm pixel size |
| Resolution RGB | 1920 x 1080 px (rolling shutter) |
| FOV depth (H x V x D) | 65° x 40° x 72° (+/- 3°) |
| FOV RGB (H x V x D) | 69° x 43° x 77° (+/- 3°) |
| Baseline (depth) | 55 mm |
| Projector | Unstructured light in IR spectrum to enhance depth quality |
| Operating range | 0,3 m – 10 m |
| Streaming speed | 30 fps for simultaneous RGB and depth streams @ 1280 x 720 px |
| Power consumption ² | 6W (AUX) / 7W (PoE) |
| Supply voltage | 12V-24V (+/- 10%) |

| Software | |
|-------------------|---|
| Software | Intel® RealSense™ SDK 2.0, basic functionality in any GigE Vision compliant software ³ |
| Operating systems | Linux, Windows, ARM ⁴ |

| Environmental | |
|-----------------------------|-----------------------------------|
| Operating temperature | 0 to +55 °C housing temperature |
| Storage temperature | -40 to +70 °C ambient temperature |
| Operating relative humidity | Up to 90% |

| Suggested Accessories | |
|---|--|
| Ethernet cable (M12 connector, male); power cable (M8 connector, female); heat sink (adequate for mounting holes) | |

| Certifications | |
|----------------|-------------------------------------|
| Regulatory | CE, FCC, RoHS |
| Shock | DIN EN 60068-2-27 |
| Vibration | DIN EN 60068-2-6, DIN EN 60068-2-64 |

¹ Intel® RealSense™ depth module data sheet:

<https://dev.intelrealsense.com/docs/datasheets>

² typical consumption at ambient temperatures of 25°C

³ Transport protocol, reception of image streams, basic controls of camera module, no depth data

⁴ NVIDIA® Jetson™ TX2, Jetson AGX Xavier™, other platforms upon request

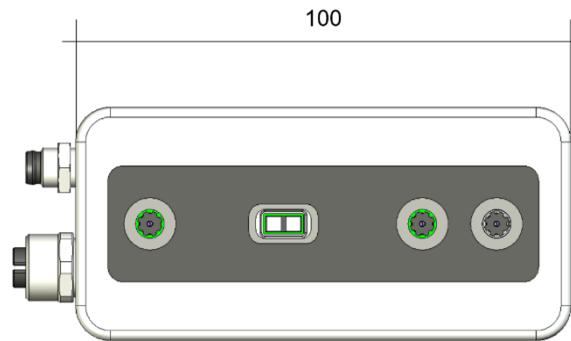
sales@framos.com | support@framos.com

HQ Germany: +49 89 710667 0 | Office NA: +1 613 686 1152 | Office Italy: +39 039 6899 635

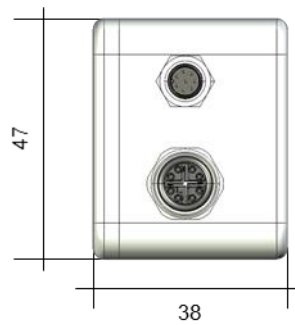
Office France: +33 782 863 478 | Office UK: +44 1276 4041 40

D415e - FRAMOS Industrial Depth Camera

Front View



Side View



Back View

