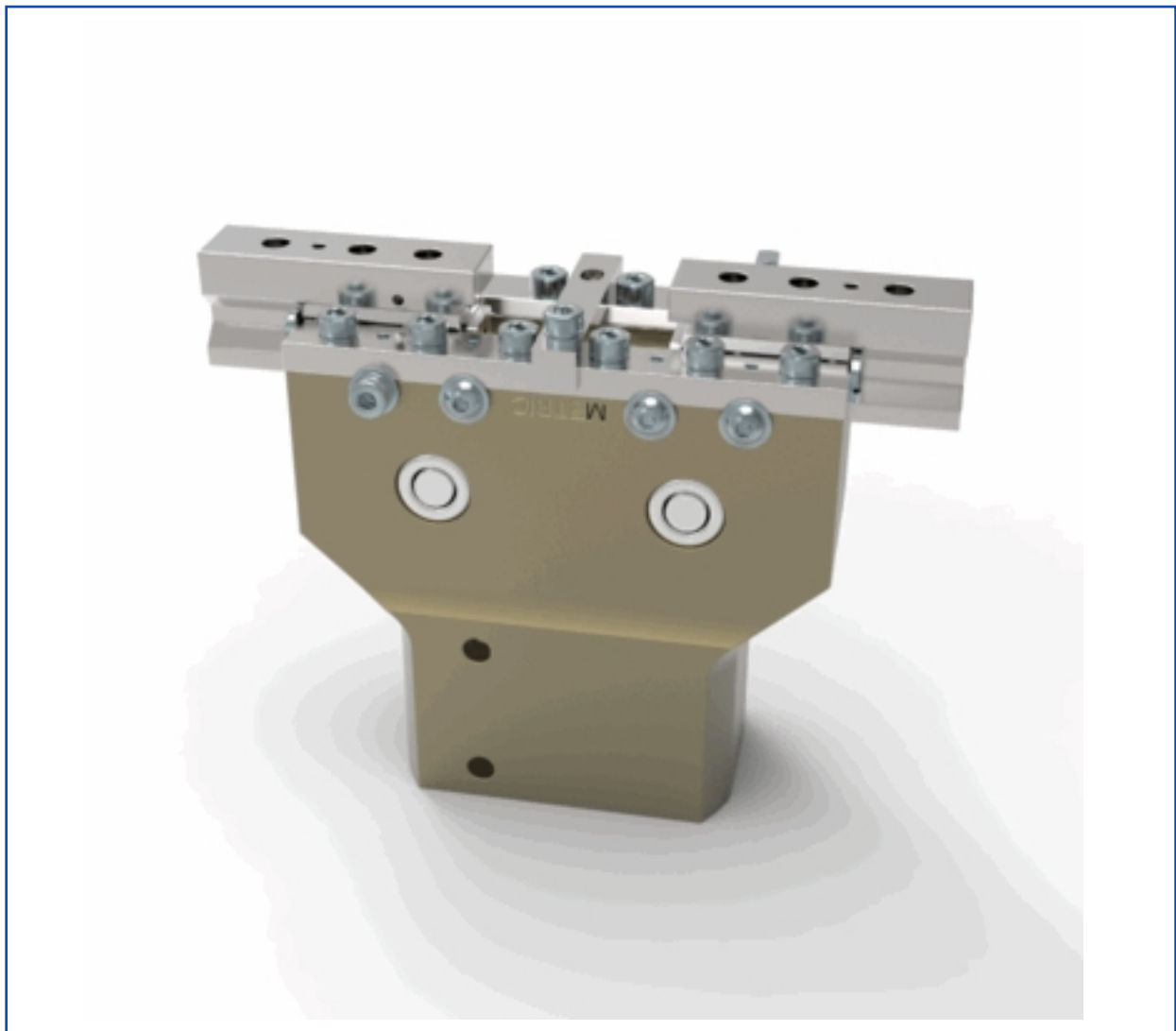
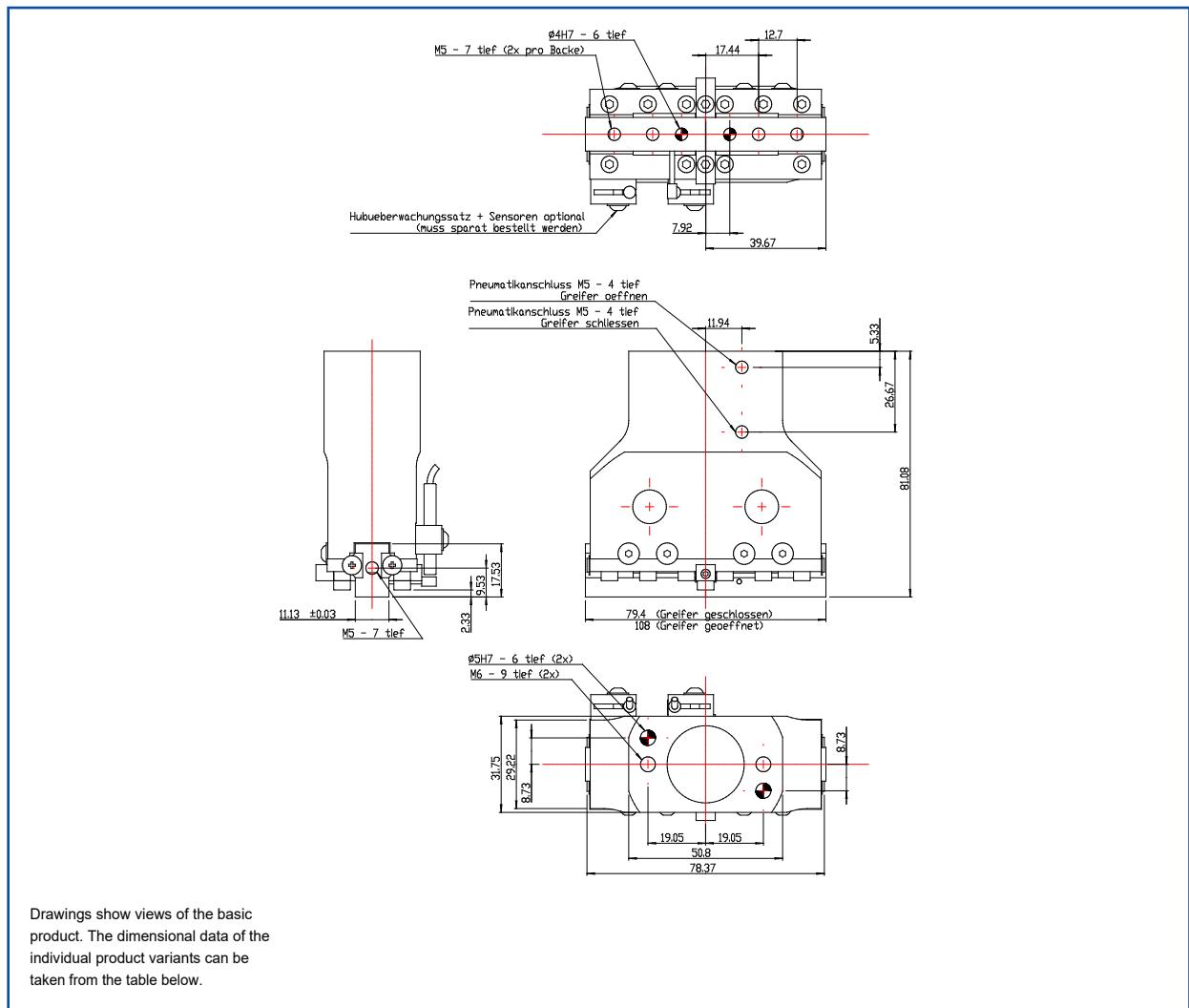


DATASHEET



 Technical Data

Part-No.	15000579
Type	RP
Model	25
Stroke currently set in the CAD model [mm]	0
Total stroke [mm]	28.7
Sensor Mounting Kit	Nein
Gripping Force at p = 6 bar [N]	245
Recommended Part Weight [kg]	1
Weight [kg]	0.519
Cylinder Bore [mm]	25.2
Displacement [cm³]	8.2
Air Consumption each Cycle open/close [l]	0.115
Actuation time opening at p = 6 bar [s]	0.21
Actuation time closing at p = 6 bar [s]	0.21
Repeatability [mm]	+/- 0.01
Maximum Finger Length [mm]	80
Customs Tariff Number	84799070



 3D View

