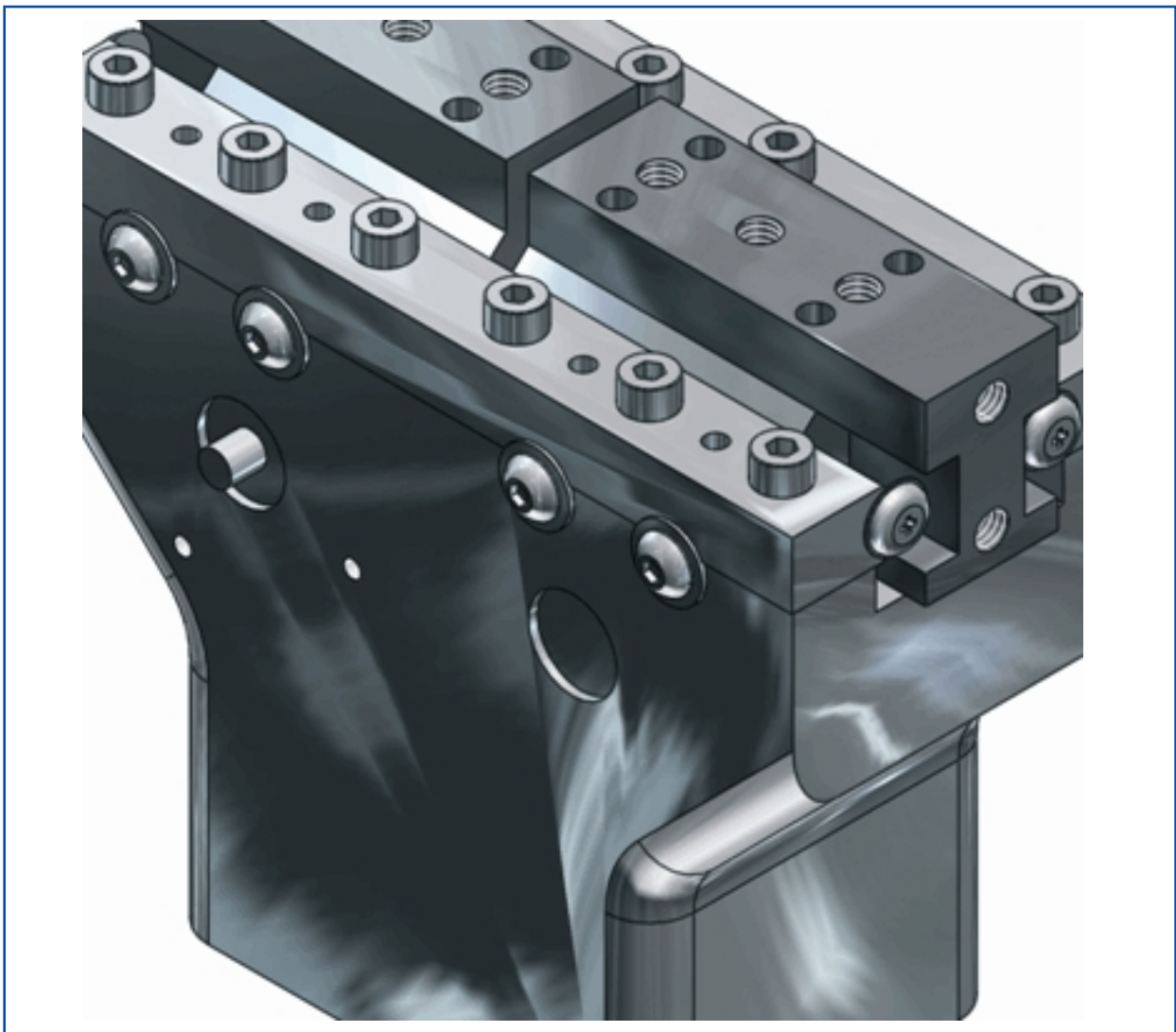
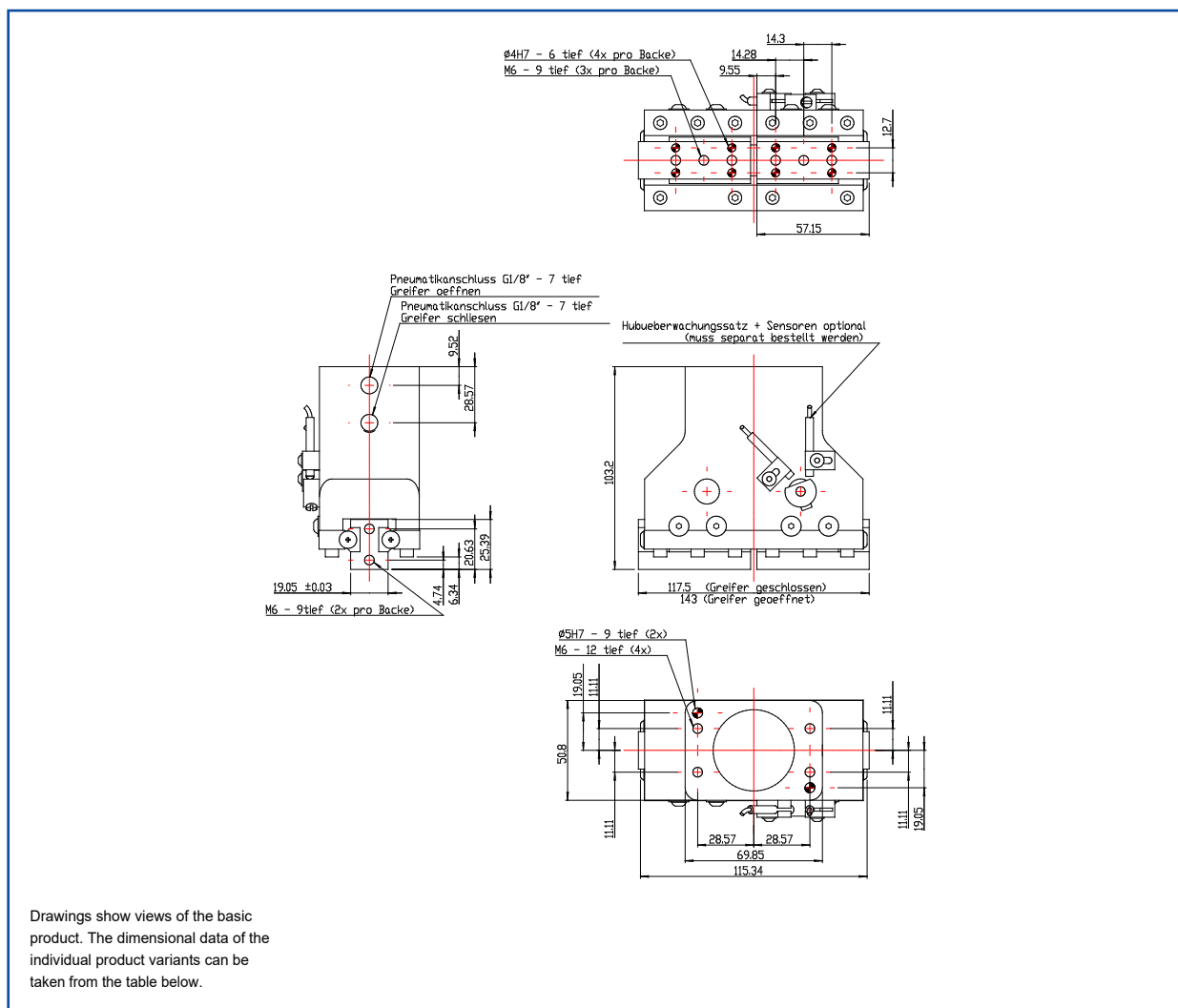


# DATASHEET



 Technical Data

Part-No.	150000870
Type	RP
Model	35
Stroke currently set in the CAD model [mm]	0
Total stroke [mm]	25.4
Sensor Mounting Kit	Nein
Gripping Force at p = 6 bar [N]	720
Recommended Part Weight [kg]	5
Weight [kg]	1.846
Cylinder Bore [mm]	41.1
Displacement [cm <sup>3</sup> ]	17
Air Consumption each Cycle open/close [l]	0.238
Actuation time opening at p = 6 bar [s]	0.33
Actuation time closing at p = 6 bar [s]	0.33
Repeatability [mm]	+/- 0.01
Maximum Finger Length [mm]	110
Customs Tariff Number	84799070



Drawings show views of the basic product. The dimensional data of the individual product variants can be taken from the table below.



---

 3D View

