

Kenos® KCS



- The KCS (Kenos collaborative small gripper) gripping system is equipped with integrated COAX® SX cartridges.
- The quick change system of KCS allows the gripper to move from one application to another very quickly.
- The KCS is equipped with a flow restrictor suitable for handling different sized sealed or leaking objects with the same lifting device even if the total foam area is not covered, the KCS will still maintain enough vacuum level to lift the object.
- The COAX®SX cartridges- providing high performance even at low or fluctuating feed pressures. The KCS can be equipped with 1 or 2 COAX®SX cartridges.

Technische Daten

Beschreibung	Einheit	Wert
Speisedruck, max.	MPa	0.7
Temperatureinsatzbereich	°C	0-50
Gewicht	g	1021
Material	-	PA, POM, EPDM, SS, NBR, PVC, HDPE
Geräuschpegel	dBA	70
Anschluss, Druckluft	-	G 1/8"
Material foam	-	EPDM

ERROR (Error inserting fragment: h1_technical_data_monitoring)

Beschreibung	Einheit	Wert
Flüssigkeit	-	Air/Non-corrosive gas/Non-flammable gas
Rated pressure range	kPa	0 to -101
Extension analog output range	kPa	10.1 to 0
Proof pressure	kPa	500
Power supply voltage effect	VDC	12 to 24 10 %, Ripple (p-p) 10 % or less (with reverse connection protection)
Stromverbrauch	mA	15 or less
Output specifications	V	1 to 5 (within rated pressure range), 0.6 to 1 (within extension analogue output range)
Genauigkeit der F.S. (Full Scale)	% F.S.	±2 (within rated pressure range), ±5 (within extension analogue output range)
Linearity	% F.S.	±0.4
Repeatability	% F.S.	±0.2
Power supply voltage effect	% F.S.	±0.8
Enclosure	-	IP40
Betriebstemperaturbereich	°C	Operating: 0 to 50, Stored: -20 to 70 (No freezing or condensation)
Operating humidity range	%RH	Operating/Stored: 35 to 85 (No condensation)
Withstand voltage	VAC	1000 (in 50 / 60 Hz) for 1 minute between terminals and housing
Insulation resistance	MΩ	50 or more (500 V DC measured via megohmmeter) between terminals and housing

Temperature characteristics	% F.S.	±2 (25 °C reference)
Sensor cable	-	Oilproof heavy duty vinyl cable (ellipse). 3 cores, 2.7 x 3.2, Conductor area: 0.15 mm ² , Insulator O.D.: 0.9 mm
Normen	-	CE, UL/CSA (E216656), RoHS
Elektrischer Anschluss	-	Connector, M8 3pin, Male

ERROR (Error inserting fragment: h1_technical_data_solenoid)

Beschreibung	Einheit	Wert
Flüssigkeit	-	Air
Betriebsdruckbereich	MPa	0.15 0.7
Betriebstemperaturbereich	°C	-10 +50 (No freezing)
Handhilfsbetätigung	-	Push-turn locking slotted type
Schmierung	-	Nicht erforderlich
Stoß-/Vibrationsfestigkeit	m/s ²	150/30
Elektrischer Anschluss	-	Connector M8 3 pin male
Spulennennspannung	Vcc	24
Zulässige Spannung	% rated voltage	± 10
Stromverbrauch	mA	17
Stoßspannungsunterdrücker	-	Diode
Kontrolllampe	-	LED

Saugleistung

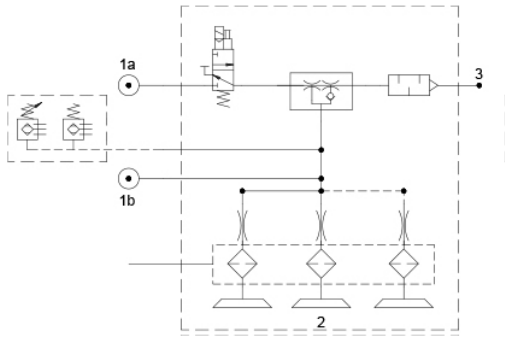
Speisedruck Pumpe / Düse	Luftverbrauch/ Pumpe / Düse	Vakuumfluss (NI/s), um unterschiedliche Vakuumniveaus zu erreichen (-kPa)										Max. Vakuum	
		0	10	20	30	40	50	60	70	80	-kPa		
MPa	NI/s												
0.47 / 0.43	2.21	3.46	3.02	2.41	1.70	1.02	0.61	0.47	0.28	0.10		90	

Haltekräfte

Kraft, N, bei verschiedenen Vakuumniveaus (-kPa)

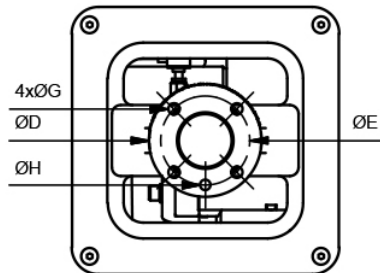
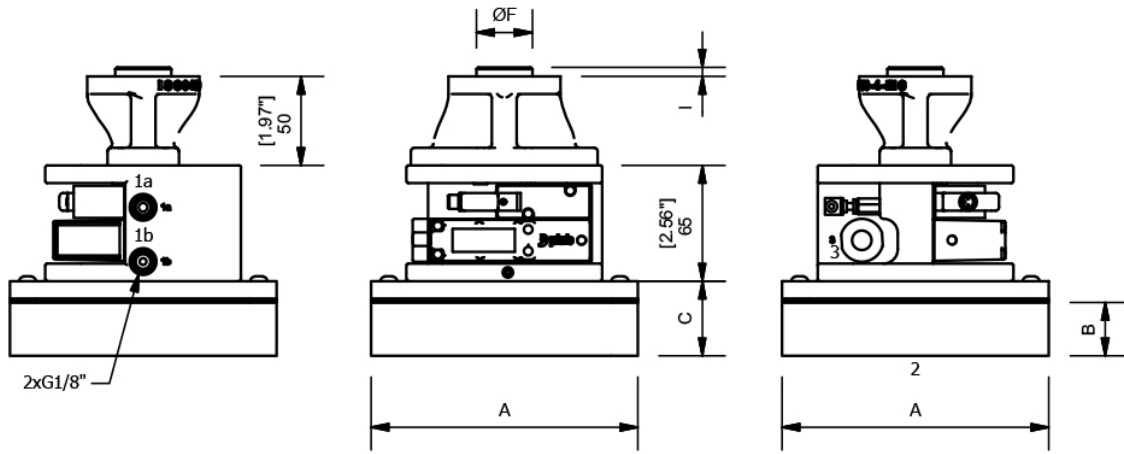
30	40	50	60	70	80	90
136	181	226	271	317	362	407

Maßzeichnung

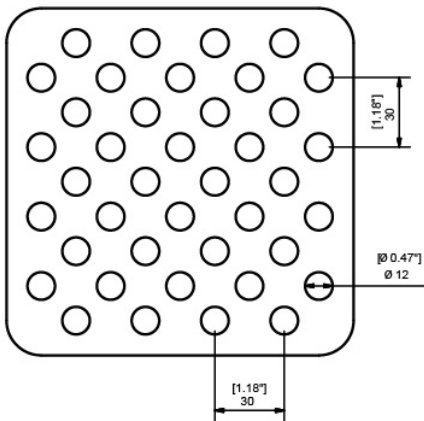


A	150 [5.91"]
B	30 [1.18"]
C	42 [1.65"]
D	63 [2.48"]
E	50 [1.97"]
F	31.5 [1.24"]
G	6.4 [0.25"]
H	6 [0.24"]
I	5 [0.20"]

Note: The filter, the monitoring and the valves are optional depending on your configuration.



Note: The monitoring and the valves are optional depending on your configuration.



Bestellbezeichnung - Aktuelle Konfiguration

Beschreibung Kenos®KCS	Produkt-Code KCS.U1.Q110.N301.150.FR6.SX421.V1.MA.50
Dimension Pumpeneinheit	110x110mm
Greifer	Foam
Typ	Foam EPDM
Schaumstoffdicken	Foam 30mm
Filter	Without filter
Schritt	Fine step
Schaumstoff abmessungen	150x150mm
Technologie	Flow Reduction 0,6 mm (standard)
Pumpentypendfragment\$	Ejector pump
Ejektor typ	1 x SX42
Schaltventile	EV vacuum N.C.
Überwachung	Analog 1-5V sensor
Bedienoberfläche	ISO 9409-1-50-M6

Bestellinformationen, Ersatzschaumstoff

Beschreibung	Produkt-Code
Foam EPDM Foam 30mm, Without filter, Fine step, 150x150mm	FOAM.KCS.Q110.N301.150

Bestellinformation, Zubehör

Beschreibung	Art. Nr.
Y cable UR-KCS M8 8p V1/V3-MA 250mm (included in UR config)	0212281

► Die im Datenblatt angegebenen Werte wurden unter folgenden Bedingungen getestet:

- Raumtemperatur (20°C ± 3°C).
- Standardatmosphäre (101,3 kPa [29,9 inHg] ± 1,0 kPa [0,3 inHg])
- Relative Luftfeuchtigkeit 20-70%.
- Druckluftqualität gemäß DIN ISO 8573-1 Klasse 4.