

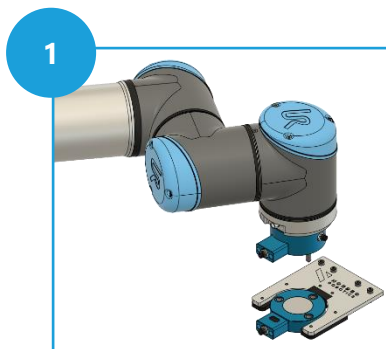
Key Features

The NTC-E10 is a precise and reliable magnetic tool changer with an optional I/O coupling module. The unique use of an electro-permanent magnet discards the need for pneumatic equipment and connects directly to the robot's I/O. Simply supply power to demagnetize the tool changer and detach the tool flange. The NTC-E10 can be further supplied with I/O coupling, enabling tool-changing between electrical grippers, while maintaining connectivity. The NTC-E10 is the perfect choice of tool changer for applications unsuited for pneumatics.

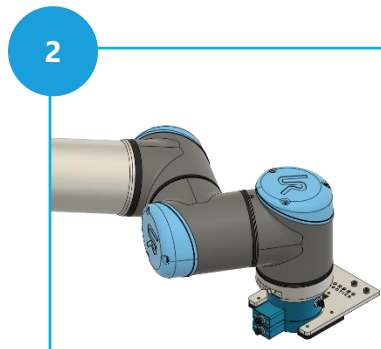
- High positional repeatability
- No air-supply required
- Plug & play
- Cobot interface (Ø50 4xM6)
- Always-ON safety
- URCap Included
- Optional I/O connector
- Optional tool holder



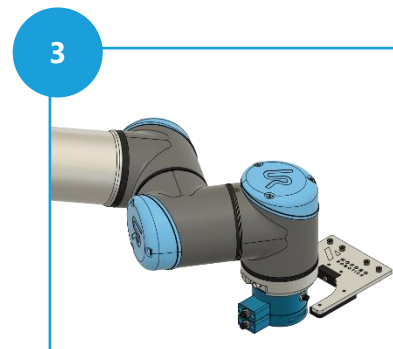
How it works



The robot moves to the tool holders' position



The robot clamps on the tool flange.



The robot moves the tool flange outside the tool holder.

Technical Specifications

Dimensions, Assembled (Diameter x Height)	Ø: 65, H: 49 mm When mounted H: 46 mm
Tool Changer I/O	24V, 1A (ON/OFF)
Weight (excl. NTC-IO)	517 g
Weight (incl. NTC-IO)	588 g
Minimum Clamping Distance	2 mm
Suggested Payload Limit	10 kg
Avg. Max Payload Capacity*	29 kg
Avg. Max Static Moment Capacity X, Y	5 Nm
(Optional) I/O 8-Pin Coupler, signal	24V, 1A
Positional Repeatability, X	0,001 mm
Positional Repeatability, Y	0,020 mm

* Payload's center of gravity must be placed directly below the tool changers center point for the maximum capacity.

Mechanical Dimensions

