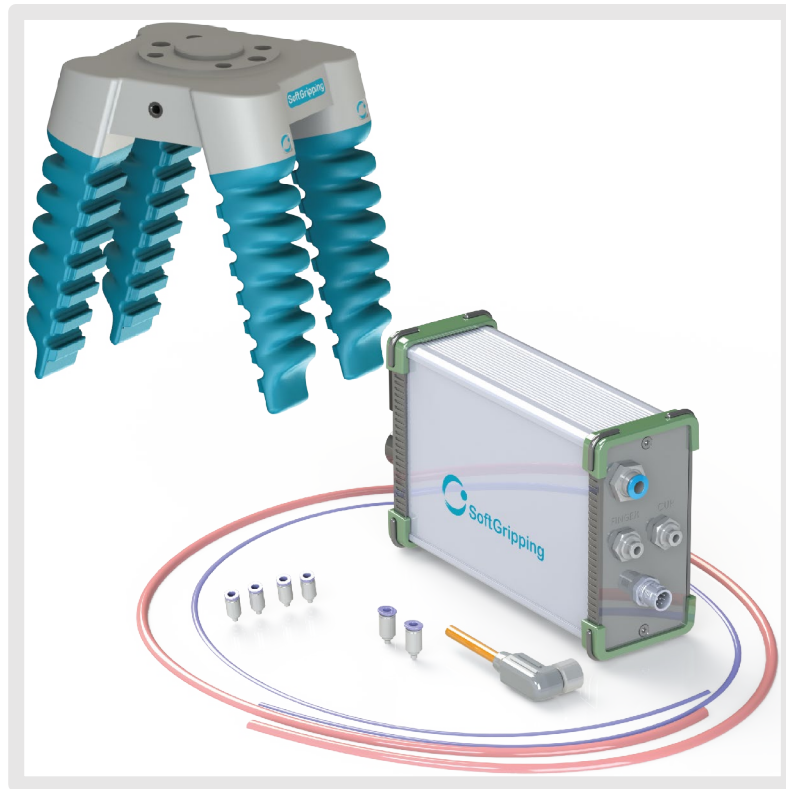


Four Finger Parallel SoftGripper - 75° Cone Angle, Control Box - Bundle SG.GB.4F.C1

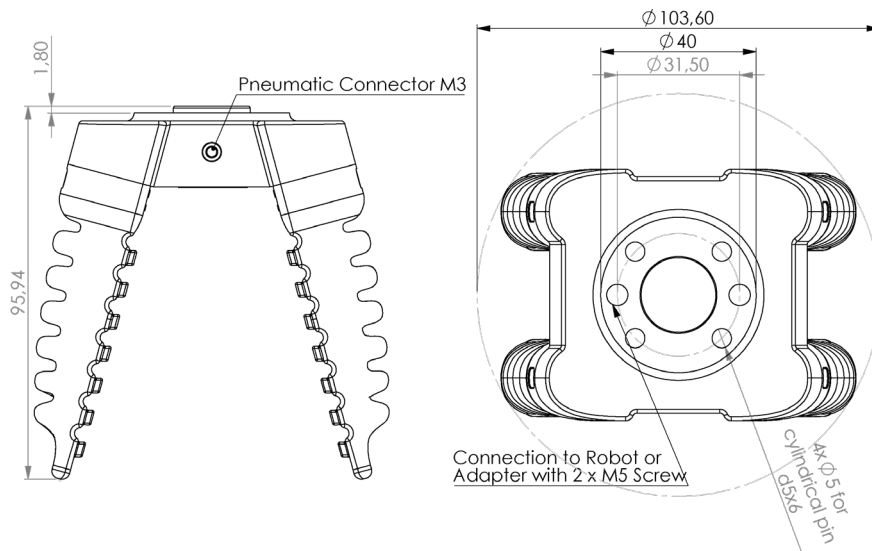


Product Code	Part	Amount
SG.4P.75D.31	Four Finger Parallel SoftGripper - 75° Cone Angle	1
SG.CB.2V	SoftGripping Control Box	1
SG.KT.E00003	M12 connector IEC 61076-2-101 8 Pins male with 0,5 m cable	1
SG.KT.P00008	Straight plug connector R1/8-4mm IQSG-184-I	2
SG.KT.P00005	Straight plug connector IQSM-M34-I	4
SG.KT.P00006	Festo 4 mm tubing PUN-4X0,75 BL	4 m
SG.KT.P00007	Festo 6 mm tubing PUN-6X1 BL	1 m

Four Finger Parallel SoftGripper - 75° Cone Angle, Control Box - Bundle SG.GB.4F.C1



This package is intended to have your SoftGripper up and running in no time. It includes a SoftGripping Control Box allowing for three positions of the SoftGripper: Grip, Release and Relaxed. If you decide to extend your SoftGripper with a suction cup, you can use the box to operate both the SoftGripper and the suction cup separately. Here, the suction cup can have two positions: Grip and Relaxed. You can operate the Control Box via your own setup or an UR-Cap. You can find the pinout as well as additional information on how to control the box in the appropriate data sheet. Of course, all necessary tubing, connectors and screws are provided as well. Keep in mind that the connector on the SoftGripper is ISO 9404-1-31.5-2-M5. Other connectors are available online.



Finger Material	Silicone
Operating Pressure	- 0.5 to 1.0 bar
Grip Force per Finger	3,5 N
Durability	> 10 Mio. Cycles @1.0 bar, 0.5 Hz
Connector	ISO 9404-1-31.5-2-M5
Air Pressure Connection	2 x M3
Total Height 75°	95,94 mm
Total Diameter 75°	103,60 mm
Mass	383 g
Typical Gripping Objects	<ul style="list-style-type: none"> • Rectangular or Cubic • Feed size 10 mm – 90 mm • Weight < 400 g