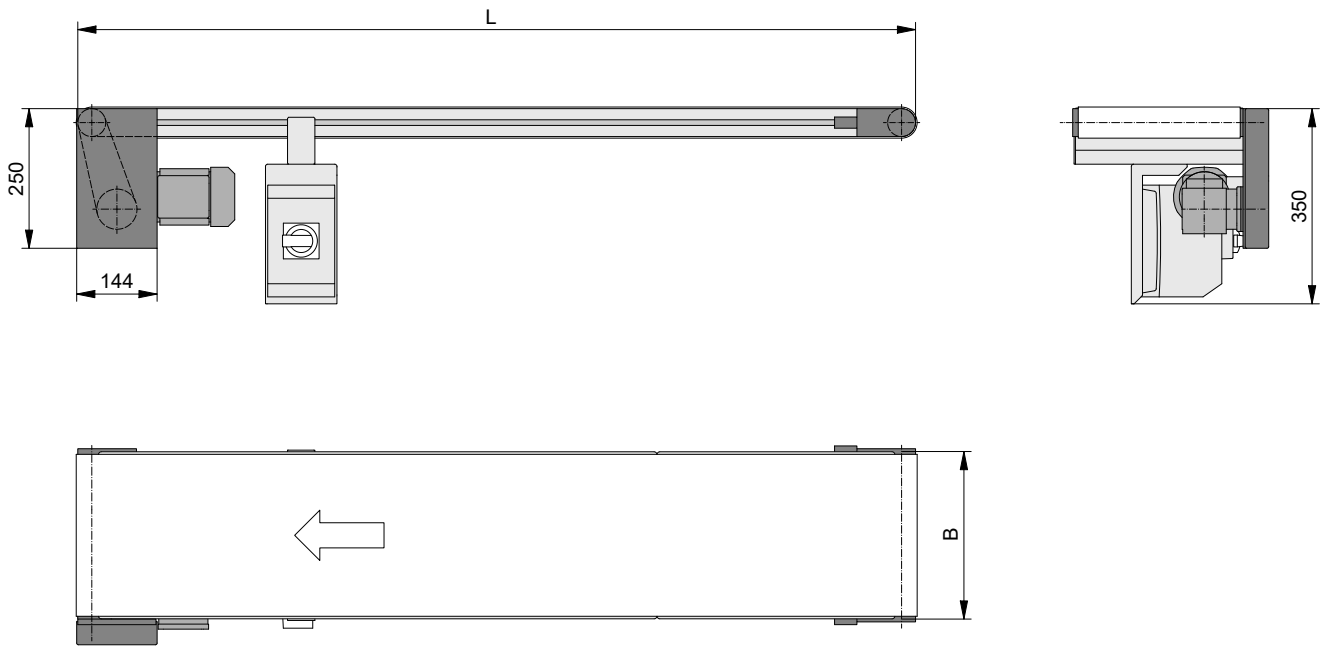


GUF-P 2000, AC head drive 90 W, optional with motor protection switch (MPS)



Technical Data

Conveyor width B	200 / 300 / 400 mm
Conveyor length L	1000 / 1500 / 2000 mm
Conveyor belt	PU, white FDA, allows for restricted accumulated operation
Drive	AC head drive, 90 W / SEW / AC 230V 50 Hz / IP 54
Drive location	0° horizontally under the belt, either on the left or right (default left)
Speed	to v=15 m/min.
Standard total load	< 20 kg
Type of transport	forwards only, continuous operation
Power supply	optional with motor protection switch, with external DC 24 V interface for start/stop
Driving roll	ø 53 mm, w/o rubber coating
Tail	01, ø 53 mm
Power transmission	chain drive
Fastener	angels

Variants

Conveyor width B [mm]	Conveyor length L [mm]	Belt width B-10 [mm]	Item number without MPS	Item number incl. MPS
200	1000	190	02-10014072-DE1	02-10012574-DE1
200	1500	190	02-10014073-DE1	02-10012575-DE1
200	2000	190	02-10014074-DE1	02-10012576-DE1
300	1000	290	02-10014075-DE1	02-10012577-DE1
300	1500	290	02-10014076-DE1	02-10012578-DE1
300	2000	290	02-10014077-DE1	02-10012579-DE1
400	1000	390	02-10014078-DE1	02-10012580-DE1
400	1500	390	02-10014079-DE1	02-10012581-DE1
400	2000	390	02-10014080-DE1	02-10012582-DE1

Other options and accessories

- Lengths: 500 to 5.000 mm
- Widths: from 50 to 800 mm
- Total load: up to 30 kg
- Motor installation position: pointing downwards 90°
- Belt types: from suitable to unsuitable for accumulated operation
- Side rails and stands

Motor Protection Switch

The motor protection switch is used for power supply of the motor and meets, with motor protection and a main switch, the requirements of the Machinery Directive for a complete machine. In addition, a 24V DC interface is available for start/stop control. It is installed in a separate IP54 PVC housing and is wired ready for connection with plug connections. The supply voltage is 400V AC/50 Hz/16A.



GUF-P 2000, AC head drive 90 W,
 with motor protection switch (optional)

Make it simple and use our QuickDesigner online configurator:

- Always the optimal conveyor for your application
- Get a 3D CAD model and quotation quickly and easily
- Available 24/7 online with secure data transfer
- Tailor-made adjustments based on the starting model

Find more information about
 our belt conveyors here:

www.quickdesigner.com

www.mk-group.com/guf-p-2000