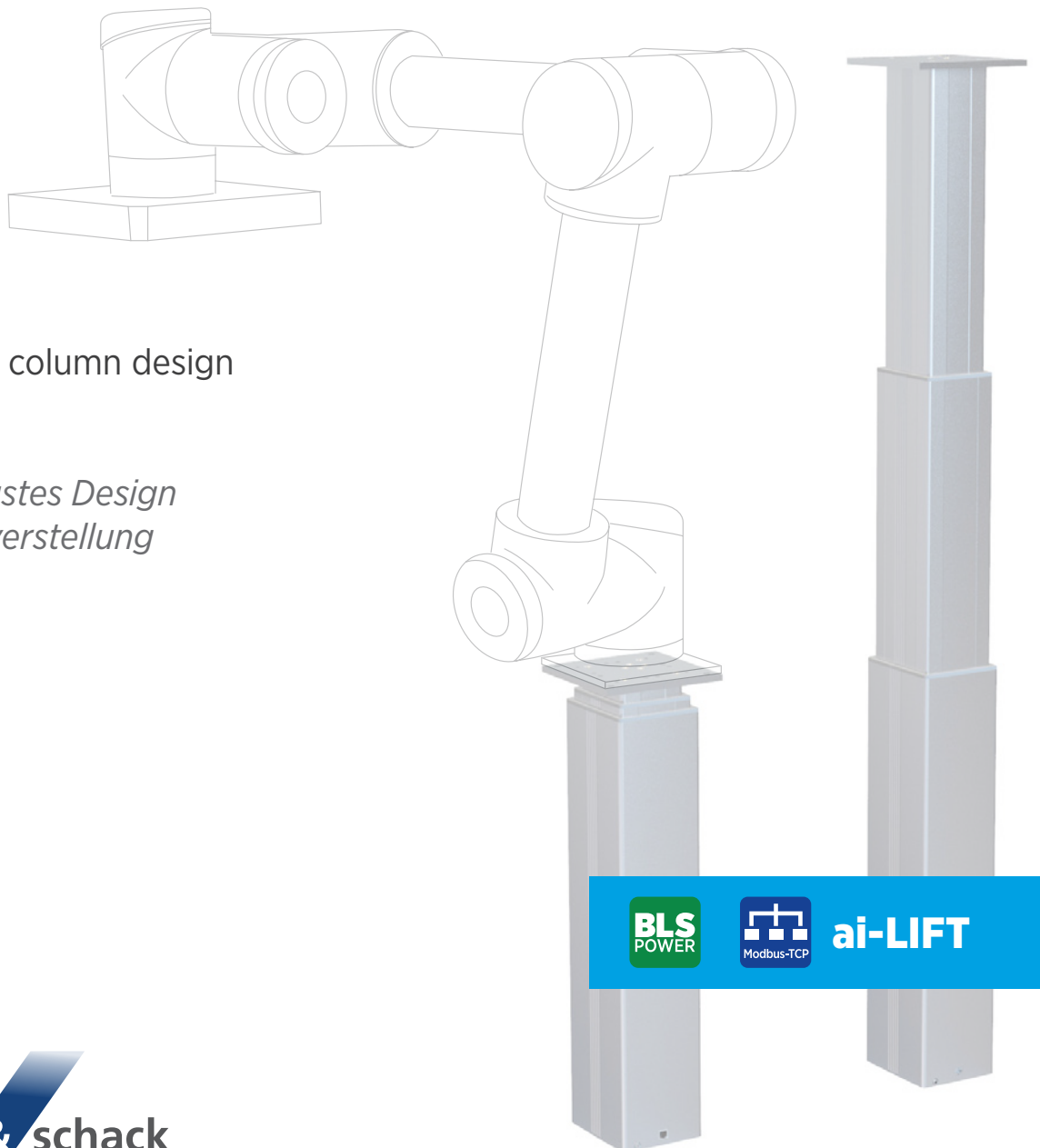


# ai LIFT



Smart and robust column design  
for cobot lifting

*Smartes und robustes Design  
für Cobot-Höhenverstellung*



**ai-LIFT**

# ai-LIFT

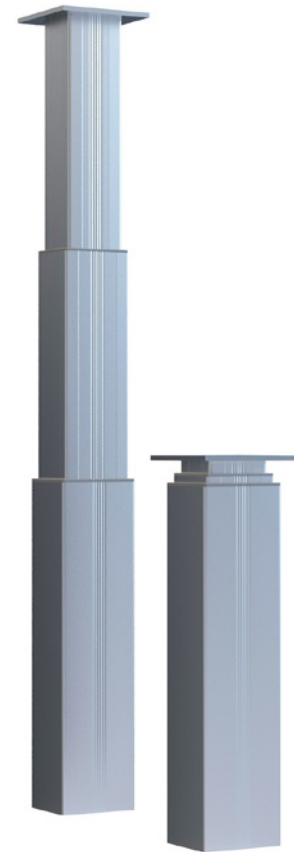
Massive design to avoid Cobot vibration  
 Able to stand offset loads  
 Powerful Brushless motor  
 Maintenance Free

Massives Design um Vibrationen durch die Cobotbewegung zu vermeiden

*Stabil, um exzentrische Lasten und Momente aufzunehmen*

*Starker bürstenloser Motor (BLDC)*

*Wartungsfrei*



Hardware interface compatible with main cobot's brand  
*Mechanische Schnittstellen sind kompatibel zu den führenden Cobots am Markt*

Features   Technische Merkmale	
INPUT Voltage   Eingangsspannung	24V
Communication   Kommunikation	ModBus TCP/IP
Max dynamic push load   Max dynamische Druckkraft	850 / 1.700 N
Max static load   Max statische Kraft	3.000 / 6.000 N
Max dynamic off-side load   Max dynamische seitliches Momen	450N at 800mm
Max linear speed   Max lineare Geschwindigkeit	80 / 40 mm/sec
Position/repeatability   Wiederholgenauigkeit	± 1,0 mm
Stroke   Hublängen	500 ÷ 1.000 mm (specials on request) 500 ÷ 1.000 mm (Sonderhublängen auf Anfrage)
Duty cycle   Einschaltdauer	10% (20% at 500N)   10% (20% bei 500N Last)

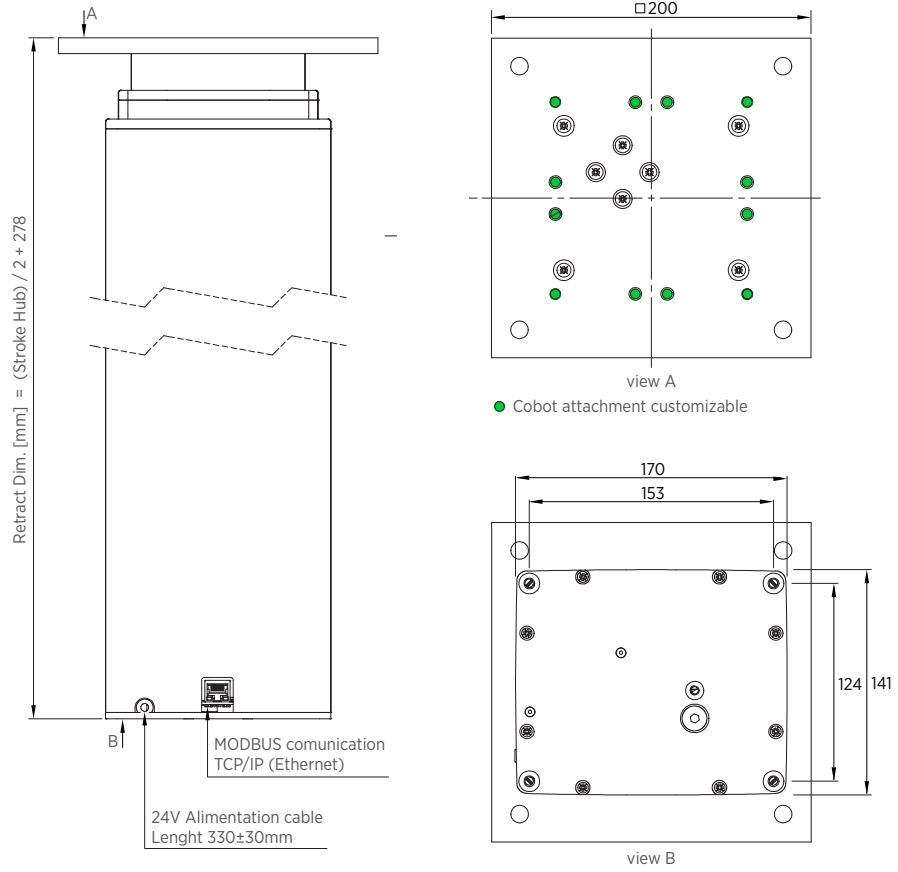


ModBus TCP built-in design for a direct communication with cobot  
*Integriertes ModBus TCP Design für eine direkte Kommunikation mit der Cobotsteuerung*

Extremely clean design, no external box needed  
*Sehr klares Design, keine zusätzlichen Anbauten erforderlich*

Brushless driver built-in  
*Integrierter bürstenloser Antrieb*

Profiles dimensions | Profilgröße



## AMER Group

Amer Group is a global reality with **7 production units** in Nord Italia, Switzerland and Germany, and **3 commercial**, distributive and after-sales subsidiaries in the world, perfectly integrated between them.

A network that has been growing for 40 years, thanks to our obstinacy, small daily improvements, and above all to the strategic choice of reinvesting profits in research and development and infrastructures. Our integrated custom solutions, such as generators, electronic control systems, DC motors, traction and linear motion systems, are the result of the attention to the needs of our global partners. Thanks to them, and to a harmonious team in line with the group's vision, we have become an important player and a point of reference worldwide.

## BAUMEISTER & SCHACK

Developments for the automotive and medical market was the start of our journey in 1980. Together with new customers we developed linear actuators and telescopic columns for various applications. Step by step we were able to form a nice and wide portfolio of products which can be integrated to different markets.

Our passion to adapt in a quick and flexible way our existing products to the special needs of our partners leads to an innovative company specialized for tailor made solutions. Our focused market are the Industrial and the Medical sector.

In 2020 we entered into the Amer Group following the wish and desire to be part of something bigger.

Now we are the Amer footprint in Germany, prepared to follow the market needs of tomorrow.



**baumeister & schack**

**Baumeister & Schack GmbH & Co. KG**

Mühlsteigstraße 6, D | 72336 Balingen-Engstlatt | Germany

P +49 (0)7433 / 1456-12 | F +49 (0)7433 / 1456-50 | info@baumeister-schack.de | baumeister-schack.de

